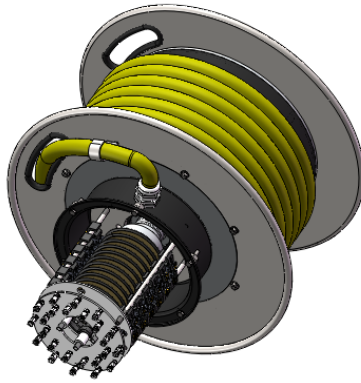
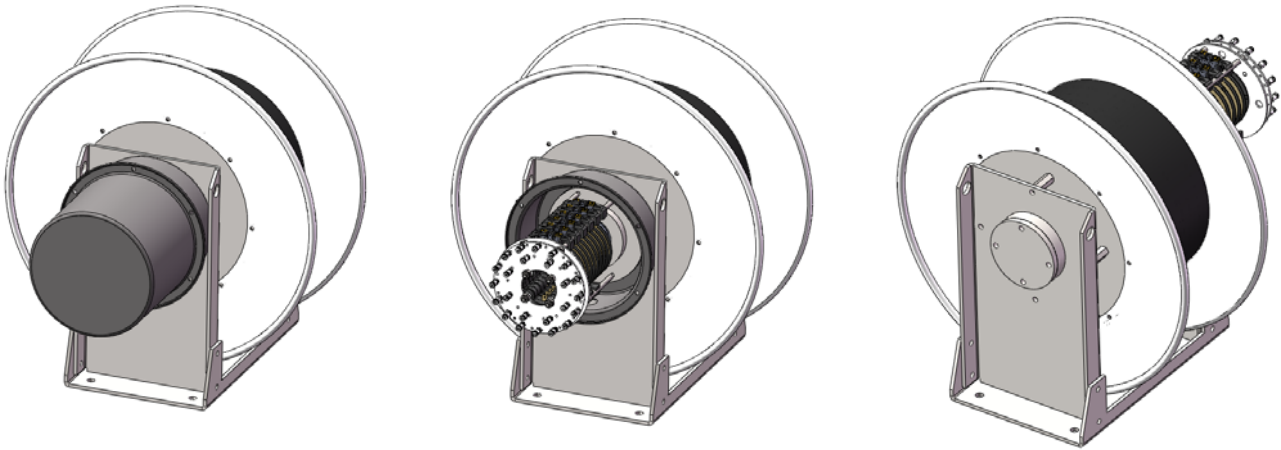


## S34H 系列



## S34M 系列



技术参数: Technical parameters

材料及构造: 卷筒本体及安装法兰采用钢件制造。弹簧为高寿命高等级的弹簧钢。

Materials & Structure: The drum body and mounting flange are made of steel. Spring is the high life high-grade spring steel.

卷绕速度: 水平卷绕 63m/min 垂直卷绕 30m/min

Winding speed: Horizontal : 63m/min Vertical winding: : 30m/min

卷取长度: 水平最大卷绕长度: 50 米, 垂直最大卷绕长度 25 米

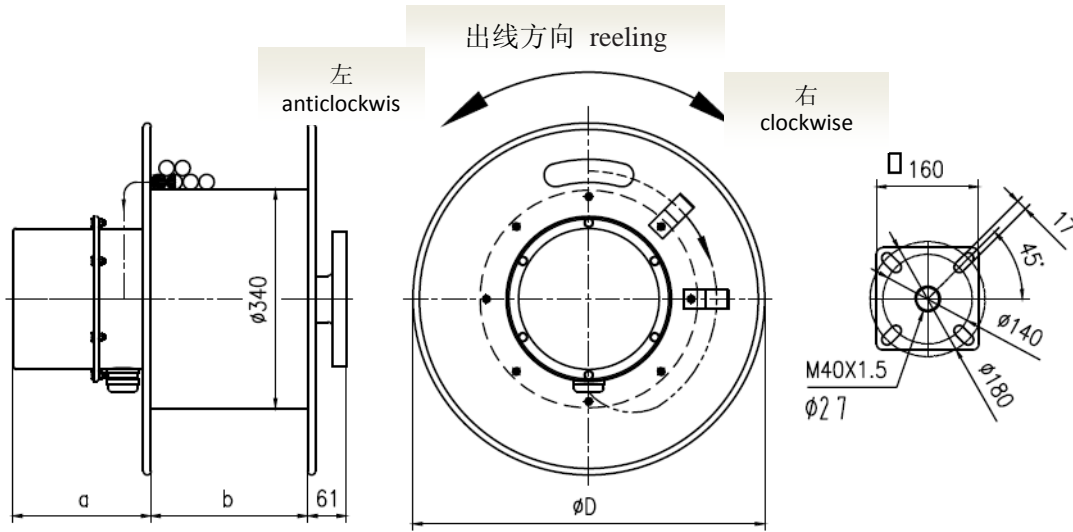
Winding length: The Max Horizontal winding length: 50m, The Max Vertical winding length: 25m

电缆参数: 外径 Max  $\Phi 25\text{mm}$ , 重量 Max 1.2kg/m;

Cable Spec: MaxOD:  $\Phi 25\text{mm}$ , Max weight: Max 1.2kg/m;

电气参数:  $V_{\text{max}} 500\text{V}$ ,  $I_{\text{max}} 60\text{A}$  Electric parameter:  $V_{\text{max}} 500\text{V}$ ,  $I_{\text{max}} 60\text{A}$

防护等级: IP54 Grade: IP54

**S34H 型选型表**
**S34H type Selection Tables for Reels**

 Application: **A** Vertical      **D**: Horizontal and Vertical Retrieval

电缆 Cable	卷取 方式	电缆长度 Lw/Li (m)	卷筒型号 Reel type	D (mm)	a (mm)	b (mm)	滑环箱 Slipring- body	法兰 Flange type
18*1.5mm <sup>2</sup> 18mm 0.484kg/m	A	14/1.5	S34H4625-0518-1A	460	218	245	2	2.1
	D	14/1.5						
	D	30/1.5	S34H5525-0518-2S	550	218	245	2	2.1
	A	30/1.5	S34H5525-0518-2SP	550	218	245	2	2.1
24*1.5mm <sup>2</sup> 19.8mm 0.603kg/m	A	14/1.5	S34H4625-0524-1A	460	260	245	2	2.1
	D	14/1.5						
	D	33/1.5	S34H5525-0524-2S	550	260	245	2	2.1
	A	33/1.5	S34H5525-0524-2SP	550	260	245	2	2.1
30*1.5mm <sup>2</sup> 25mm 0.893kg/m	A	12/1.5	S34H5525-0530-1A	550	262	245	2	2.1
	D	16/1.5						
	A	16/1.5	S34H5525-0530-2P	550	262	245	2	2.1
	D	36/1.5	S34H6325-0530-2S	630	262	245	2	2.1
	A	24/1.5	S34H5525-0530-2SP	550	262	245	2	2.1
	D	50/1.5	S34H6325-0530-3S	630	262	245	2	2.1
36*1.5mm <sup>2</sup> 24.5mm 0.995kg/m	A	10/1.5	S34H5525-0536-1A	550	302	245	2	2.1
	D	16/1.5						
	A	16/1.5	S34H5525-0536-2P	550	302	245	2	2.1
	D	35/1.5	S34H6325-0536-2S	630	302	245	2	2.1
	A	22/1.5	S34H5525-0536-2SP	550	302	245	2	2.1
	D	50/1.5	S34H6325-0536-3S	630	302	245	2	2.1

电缆 Cable	卷取 方式	电缆长度 Lw/Li (m)	卷筒型号 Reel type	D (mm)	a (mm)	b (mm)	滑环箱 Slipring- body	法兰 Flange type
24*2.5mm <sup>2</sup> 22.5mm 0.875kg/m	A	12/1.5	S34H5525-0524-1A	550	262	245	2	2.1
	D	15/1.5						
	A	15/1.5	S34H5525-0524-2P	550	262	245	2	2.1
	D	33/1.5	S34H6325-0524-2S	630	262	245	2	2.1
	A	25/1.5	S34H5525-0524-2SP	550	262	245	2	2.1
	D	50/1.5	S34H6325-0524-3S	630	262	245	2	2.1
30*2.5mm <sup>2</sup> 29mm 1.306kg/m	A	8/1.5	S34H5525-0530-1A	550	282	245	2	2.1
	D	16/1.5						
	A	16/1.5	S34H6325-0530-2P	630	282	245	2	2.1
	D	37/1.5	S34H6325-0530-2S	630	282	245	2	2.1
5*6mm <sup>2</sup> 18mm 0.503kg/m	A	15/1.5	S34H4625-0405-1A	460	184	245	3	2.1
	D	15/1.5						
	D	32/1.5	S34H5525-0405-2S	550	184	245	3	2.1
	A	32/1.5	S34H5525-0405-2SP	550	184	245	3	2.1
	D	50/1.5	S34H6325-0405-3S	630	184	245	3	2.1
7*6mm <sup>2</sup> 19.6mm 0.6685kg/m	A	15/1.5	S34H4625-0407-1A	460	202	245	3	2.1
	D	15/1.5						
	A	33/1.5	S34H5525-0407-2S	550	202	245	3	2.1
	A	33/1.5	S34H5525-0407-2SP	550	202	245	3	2.1
	D	50/1.5	S34H6325-0407-3S	630	202	245	3	2.1
4*10mm <sup>2</sup> 19.5mm 0.697kg/m	A	15/1.5	S34H4625-0404-1A	460	330	245	3	2.1
	D	15/1.5						
	D	33/1.5	S34H5525-0407-2S	550	330	245	3	2.1
	A	33/1.5	S34H5525-0407-2SP	550	330	245	3	2.1
	D	52/1.5	S34H6325-0407-3S	630	330	245	3	2.1
5*10mm <sup>2</sup> 21.3mm 0.76kg/m	A	15/1.5	S34H5525-0405-1A	550	365	245	3	2.1
	D	15/1.5						
	D	34/1.5	S34H6325-0405-2S	630	365	245	3	2.1
	A	29/1.5	S34H5525-0405-2SP	550	365	245	3	2.1
	D	50/1.5	S34H6325-0405-3S	630	365	245	3	2.1
4*16mm <sup>2</sup> 24mm 1.104kg/m	A	10/1.5	S34H5525-0404-1A	550	330	245	3	2.1
	D	16/1.5						
	A	16/1.5	S34H5525-0404-2P	550	330	245	3	2.1
	D	35/1.5	S34H6325-0404-2S	630	330	245	3	2.1
	A	21/1.5	S34H5525-0404-2SP	550	330	245	3	2.1
	D	50/1.5	S34H6325-0404-3S	630	330	245	3	2.1
5*16mm <sup>2</sup> 26mm 1.181kg/m	A	9/1.5	S34H5525-0405-1A	550	365	245	3	2.1
	D	16/1.5						
	A	16/1.5	S34H5525-0405-2P	550	365	245	3	2.1
	D	36/1.5	S34H6325-0405-2S	630	365	245	3	2.1
	D	48/1.5	S34H6325-0405-3S	630	365	245	3	2.1



## 海润电气有限公司

Hunan Hairun Electric Co., Ltd.

---

地址：湖南省岳阳市麻塘镇

Address: Ma Town, Yueyang City, Hunan Province

电话 (Tel): +86-730-7830777 7832777

传真 (Fax): +86-730-7831777

邮箱 (Email): [gs@hinar.com.cn](mailto:gs@hinar.com.cn)

网址 (Website): <http://www.hinar.com.cn>